



Steca Solsum F

6.6F, 8.8F, 10.10F

The Steca Solsum F-Line continues the huge success of one of the most used SHS controllers. With a power range of up to 10 A at automatically recognized 12 V or 24 V it fits to a system sizes of maximum 240 W.

The circuit board is completely electronically protected and with the LED user interface it is easy to check the battery state of charge at any time. Large terminals guarantee a simple connection of solar panels, battery and load. The Steca Solsum F works on PWM as a low loss series controller.



Product features

- Series controller
- Voltage regulation
- Automatic detection of voltage
- PWM control
- Multistage charging technology
- Current compensated load disconnection
- Automatic load reconnection
- Temperature compensation
- Common positive grounding or negative grounding on one terminal
- Monthly maintenance charge

Electronic protection functions

- Overcharge protection
- Deep discharge protection
- Reverse polarity protection of load, module and battery
- Automatic electronic fuse
- Short circuit protection of load and module
- Overvoltage protection at module input
- Open circuit protection without battery
- Reverse current protection at night
- Overtemperature and overload protection
- Battery overvoltage shutdown

Displays

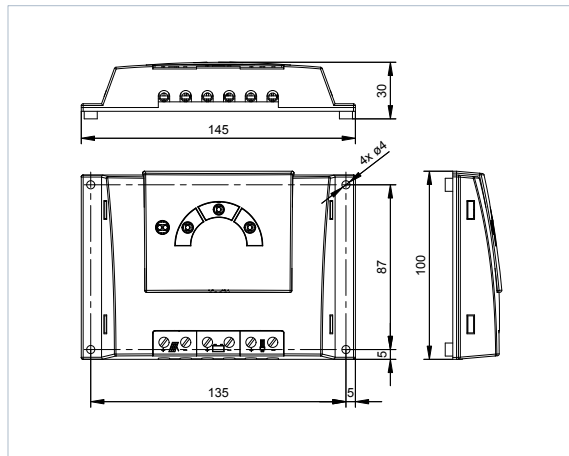
- Multifunction LED display
- Multi-coloured LED
- 4 LEDs show operating states
 - for operation, state of charge, fault messages

Options

- Night light function pre-set in the factory or adjustable via Steca PA RC 100
- Parameterisation of function values via Steca PA RC 100

Certificates

- Compliant with European Standards (CE)
- RoHS compliant
- Developed in Germany
- Manufactured according to ISO 9001 and ISO 14001



	6.6F	8.8F	10.10F
Characterisation of the operating performance			
System voltage	12 V (24 V)		
Own consumption	< 4 mA		
DC input side			
Open circuit voltage solar module (at minimum operating temperature)	< 47 V		
Module current	6 A	8 A	10 A
DC output side			
Load current	6 A	8 A	10 A
End of charge voltage	13.9 V (27.8 V)		
Boost charge voltage	14.4 V (28.8 V)		
Reconnection voltage (SOC / LVR)	> 50 % / 12.4 V ... 12.7 V (24.8 V ... 25.4 V)		
Deep discharge protection (SOC / LVD)	< 30 % / 11.2 V ... 11.6 V (22.4 V ... 23.2 V)		
Operating conditions			
Ambient temperature	-25 °C ... +50 °C		
Fitting and construction			
Terminal (fine / single wire)	4 mm ² / 6 mm ² - AWG 12 / 9		
Degree of protection	IP 32		
Dimensions (X x Y x Z)	145 x 100 x 30 mm		
Weight	approx. 150 g		

Technical data at 25 °C / 77 °F



Remote control Steca PA RC100

[areas of application]

