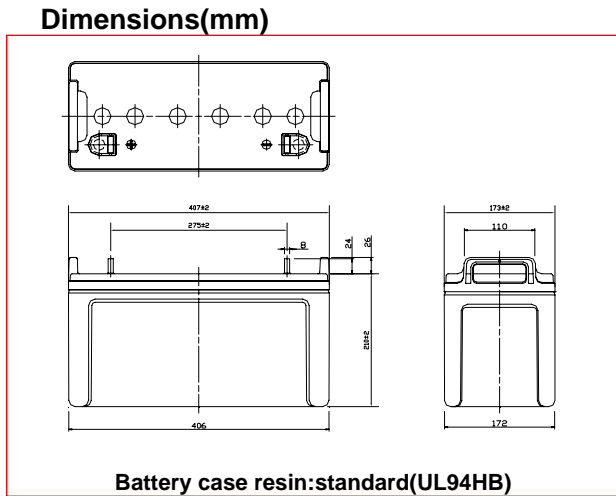


LC-X12120

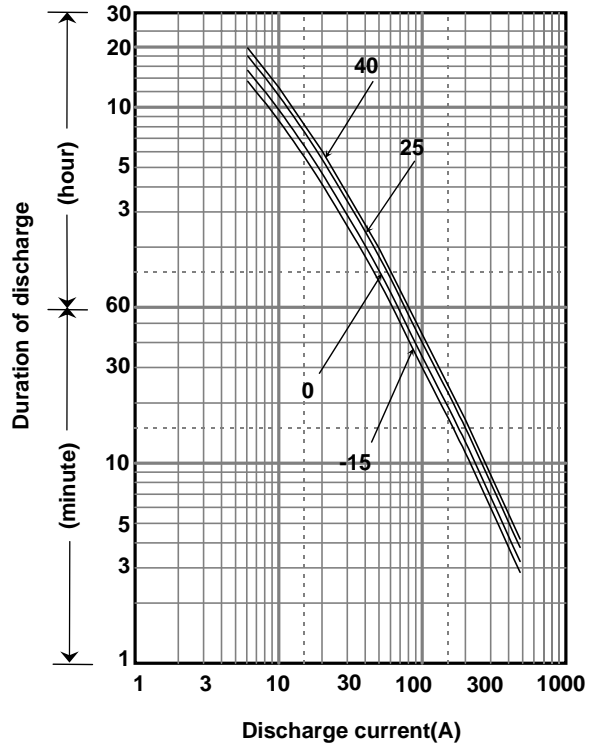
For standby power supplies
 Expected trickle life: Approx. 6 years at 25 °C, approx. 10 years at 20 °C



Specification

Nominal Voltage		12V
Rated Capacity(20HR)		120Ah
Dimensions	Length	407 mm
	Width	173 mm
	Height	210 mm
	Total height	236 mm
Approx. Mass		37.0 kg
Terminal		M8 threaded post Bolt and Nut type

Duration of discharge vs. discharge current



Characteristics

Capacity (25 °C)	20 hour rate	120Ah
	10 hour rate	109Ah
	5 hour rate	99Ah
	1 hour rate	66Ah
Internal Resistance	Fully charged battery (25 °C)	3.5 mΩ
Temperature Dependency of Capacity (20 hour rate)	40	102%
	25	100%
	0	80%
	-15	60%
Self Discharge (25 °C)	After 3 months	91%
	After 6 months	82%
	After 12 months	64%

Watt Table

(Wattage/Battery)

Cut-off V	3min	5min	10min	15min	20min	30min	45min	1h	1.5h	2h	3h	4h	5h	6h	10h	20h	24h
9.60V				2133	1848	1409	1036	835	663	499	326.0	261.0	197.0	179.0	104.0	59.0	47.0
9.90V				2078	1805	1370	1038	835	662	501	322.0	259.0	190.0	177.0	103.0	60.0	47.0
10.2V				2053	1762	1322	945	805	642	509	325.0	265.0	194.0	178.0	101.0	59.0	47.0
10.5V				1936	1695	1316	1010	764	629	506	325.0	265.0	199.0	182.0	101.0	61.0	47.0
10.8V				1901	1669	1281	870	672	559	467	306.0	255.0	191.0	185.0	100.0	58.0	47.0

Ampere Table

(Ampere/Battery)

Cut-off V	3min	5min	10min	15min	20min	30min	45min	1h	1.5h	2h	3h	4h	5h	6h	10h	20h	24h
9.60V				229.0	198.0	149.0	105.0	87.0	59.0	48.0	32.1	24.8	21.6	18.2	11.60	6.00	5.00
9.90V				228.0	197.0	148.0	102.0	87.0	58.0	47.9	31.5	24.5	21.3	18.2	11.60	6.00	5.00
10.2V				227.0	195.0	146.0	102.0	86.0	58.0	47.0	31.2	24.2	21.0	18.1	11.50	6.00	5.00
10.5V				215.0	186.0	143.0	101.0	85.0	57.0	46.0	31.3	24.3	21.0	18.1	11.50	6.00	5.00
10.8V				208.0	181.0	141.0	87.0	74.0	51.0	44.0	29.9	23.7	20.7	17.5	11.40	5.90	5.00